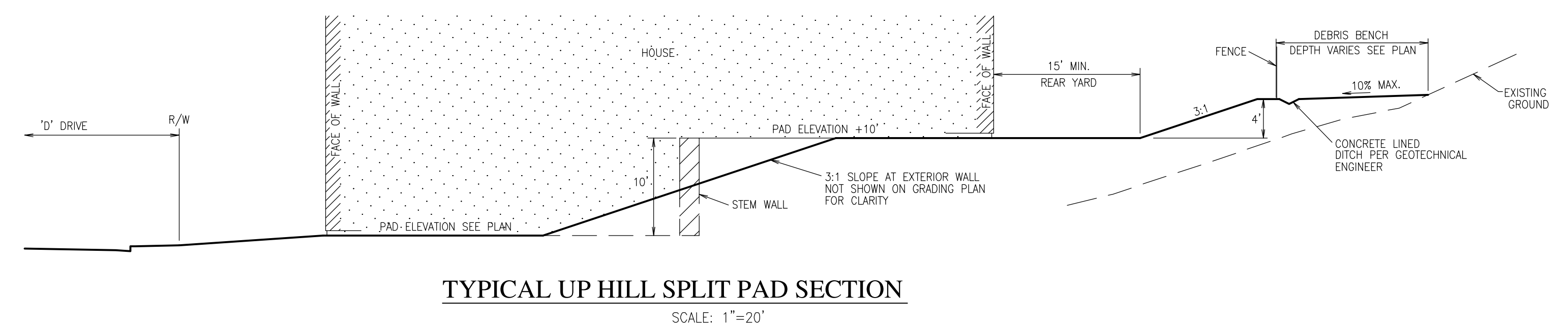
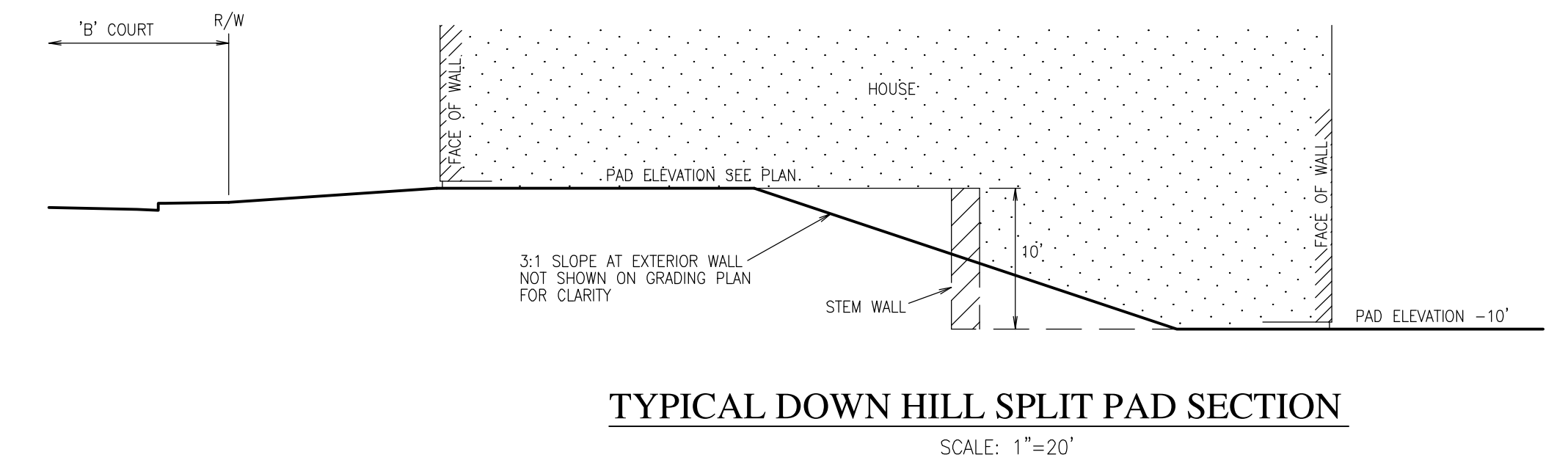
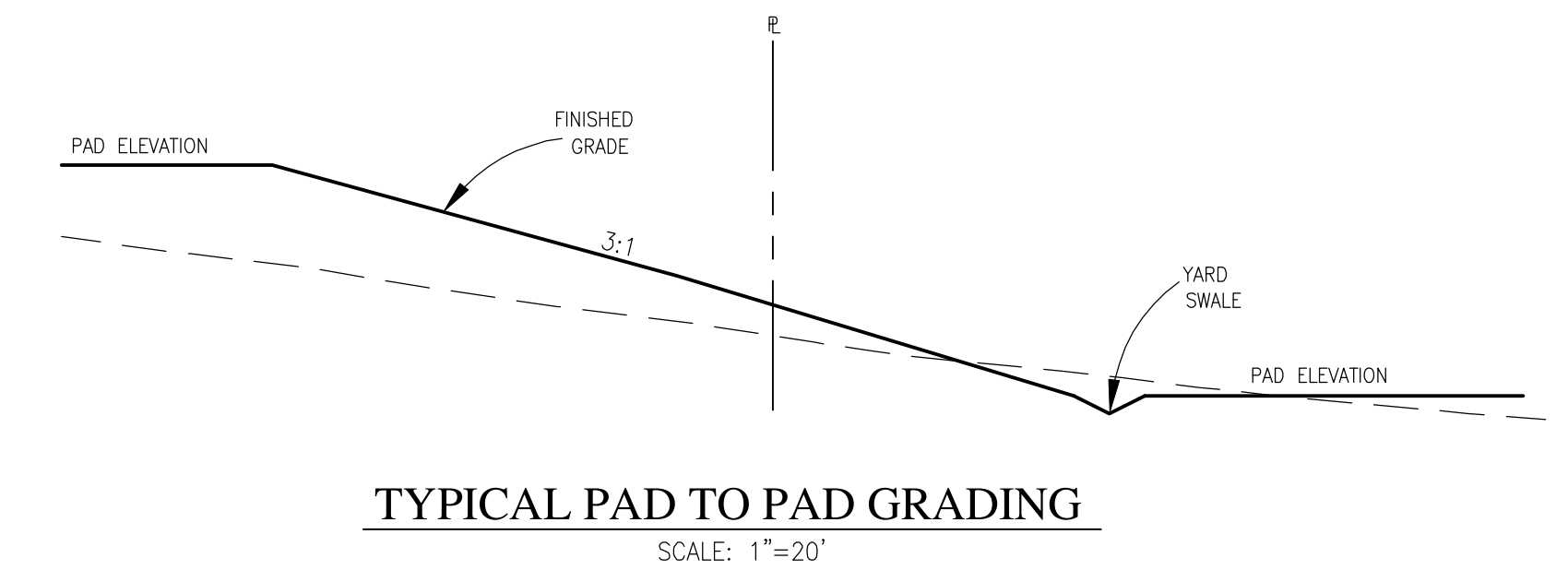
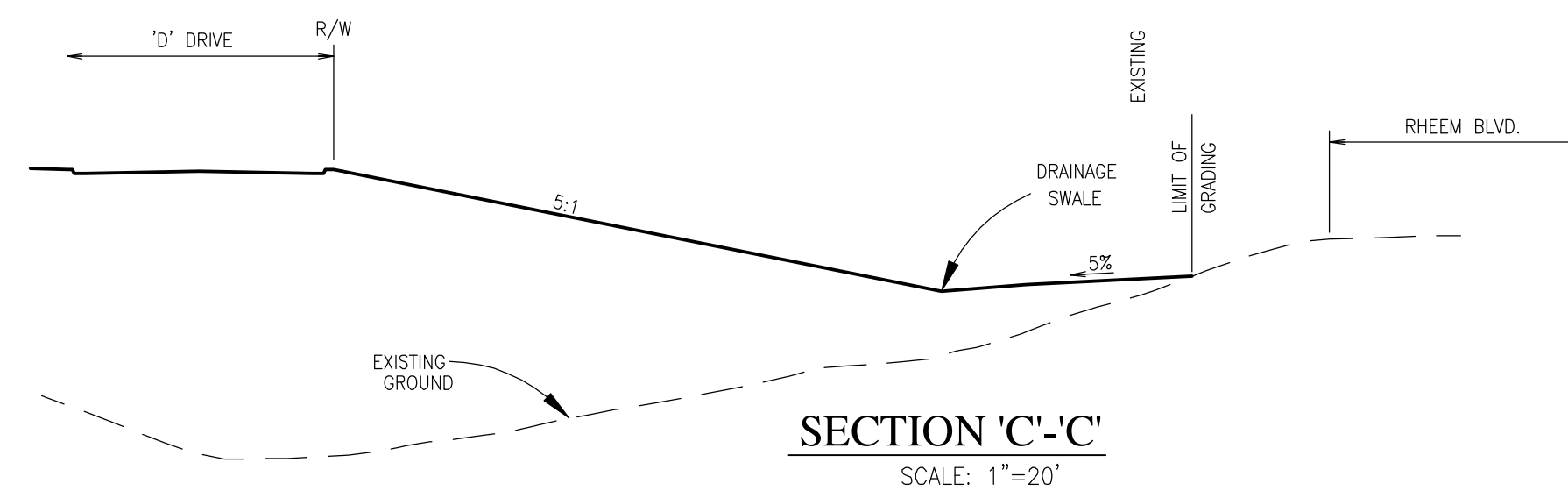
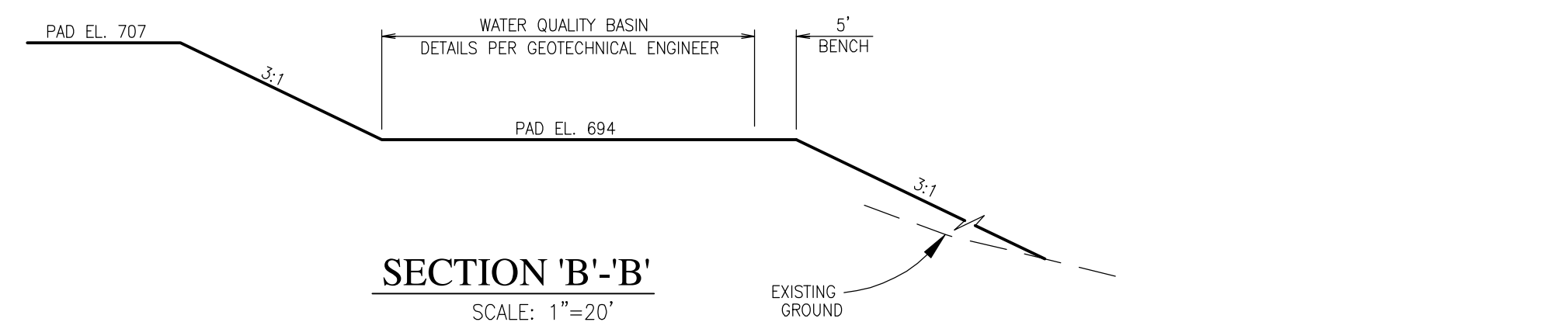
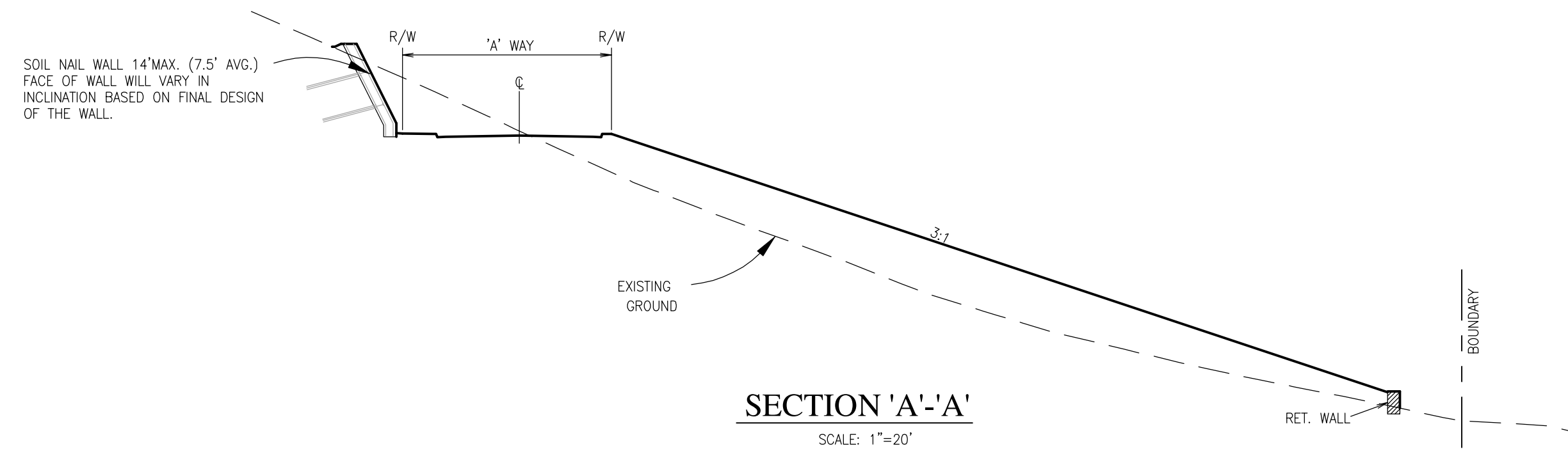
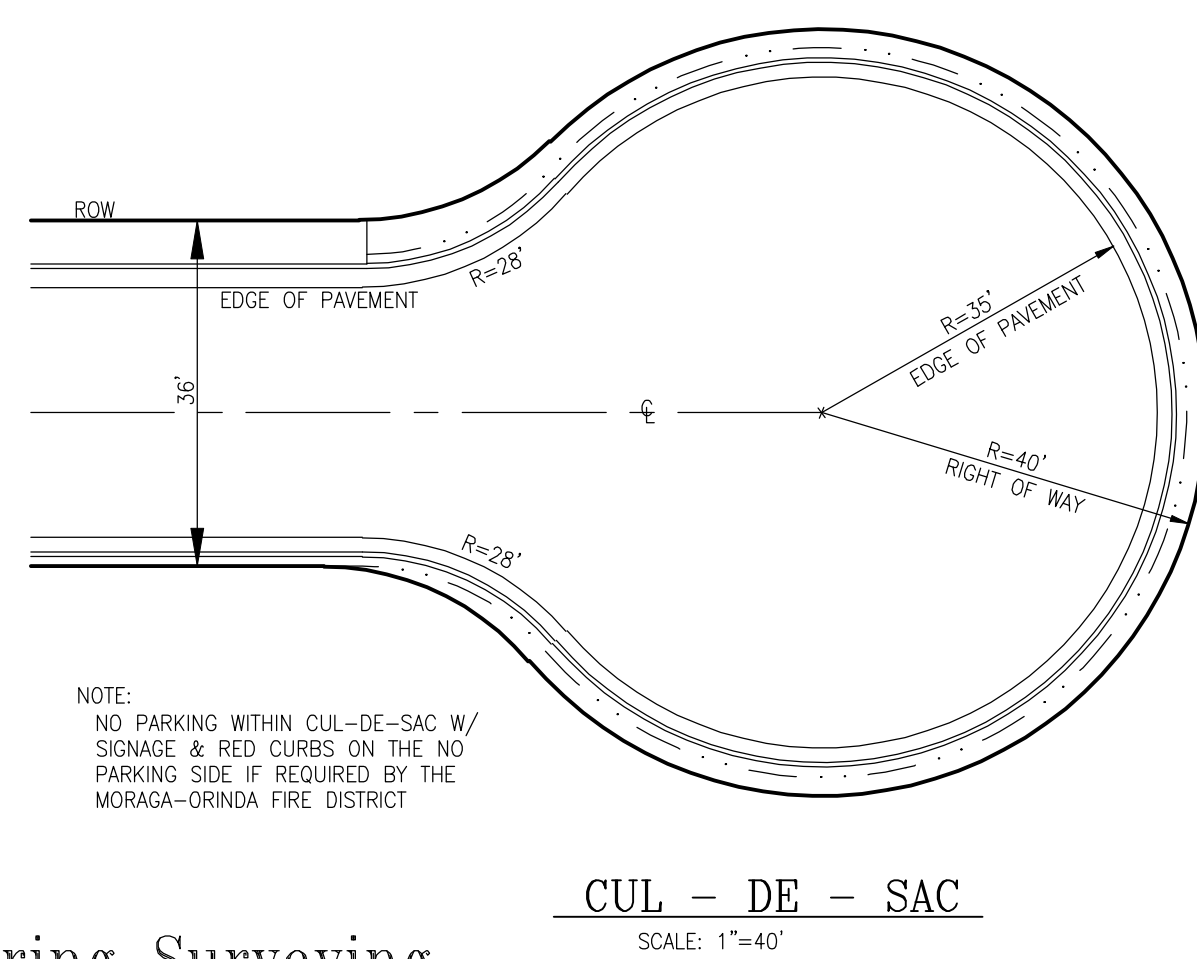
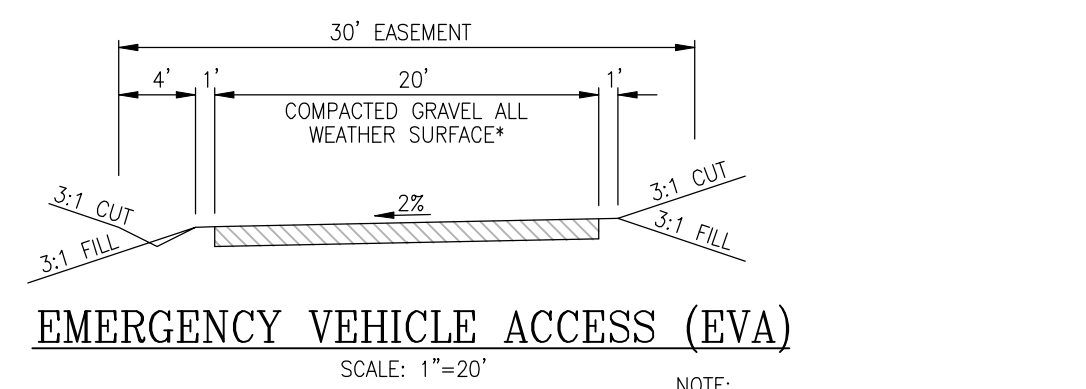
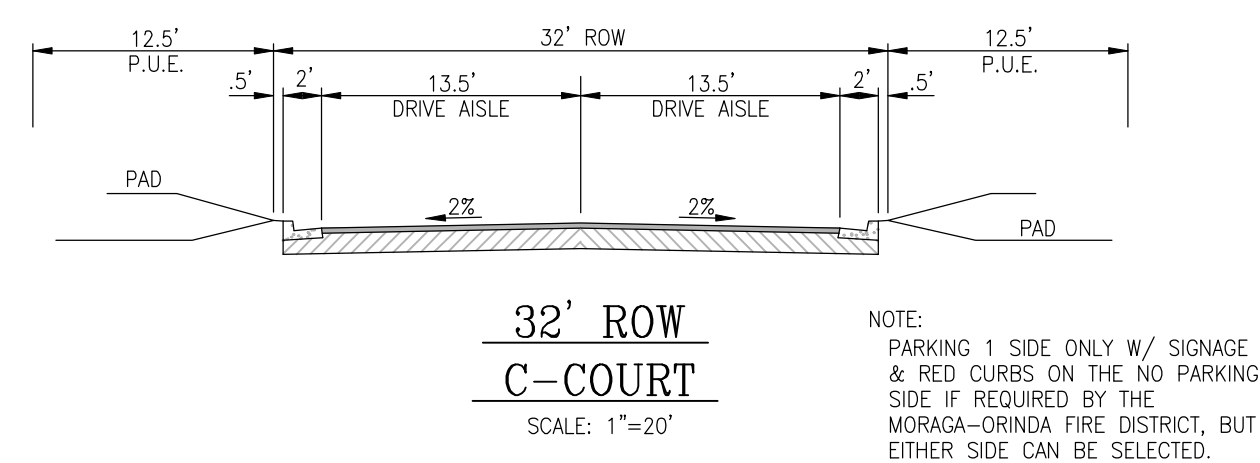
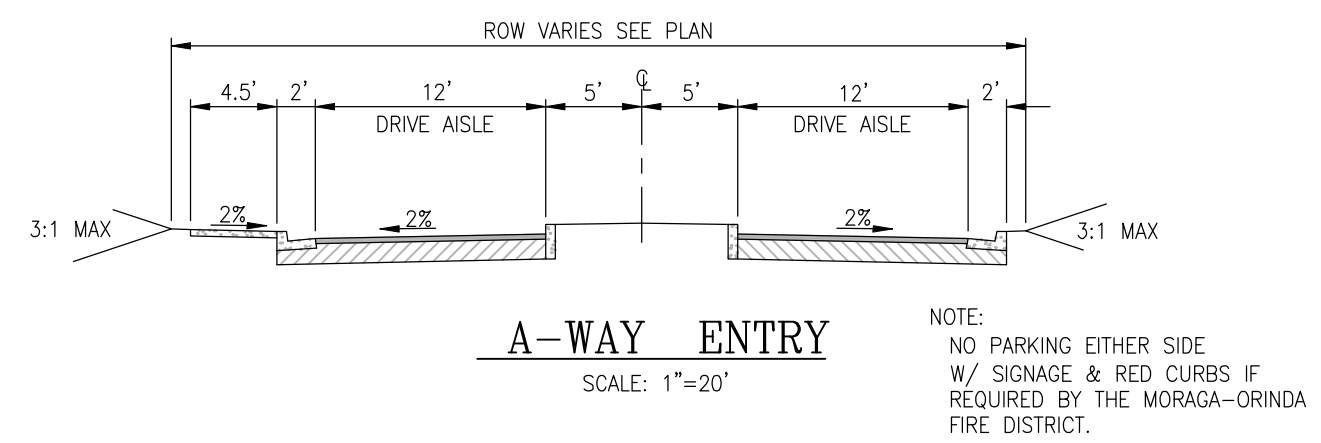
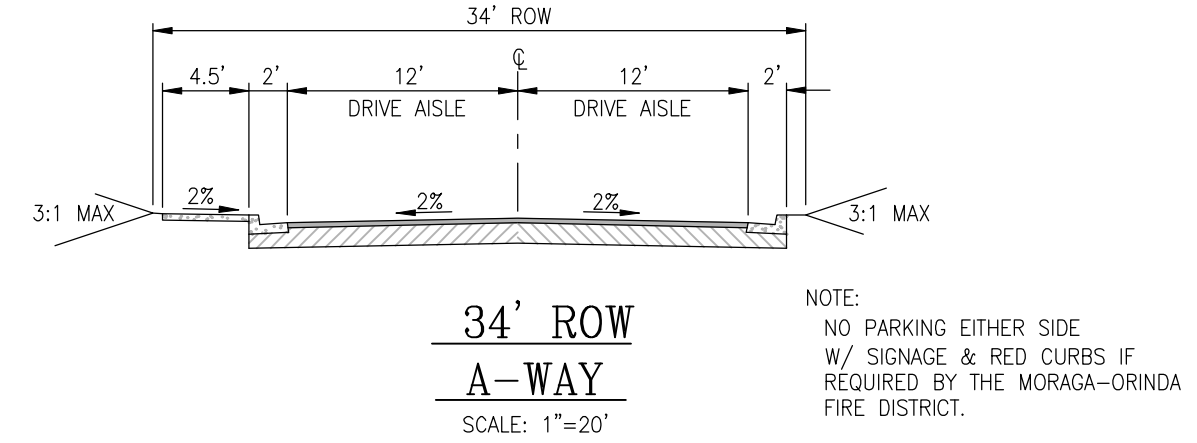
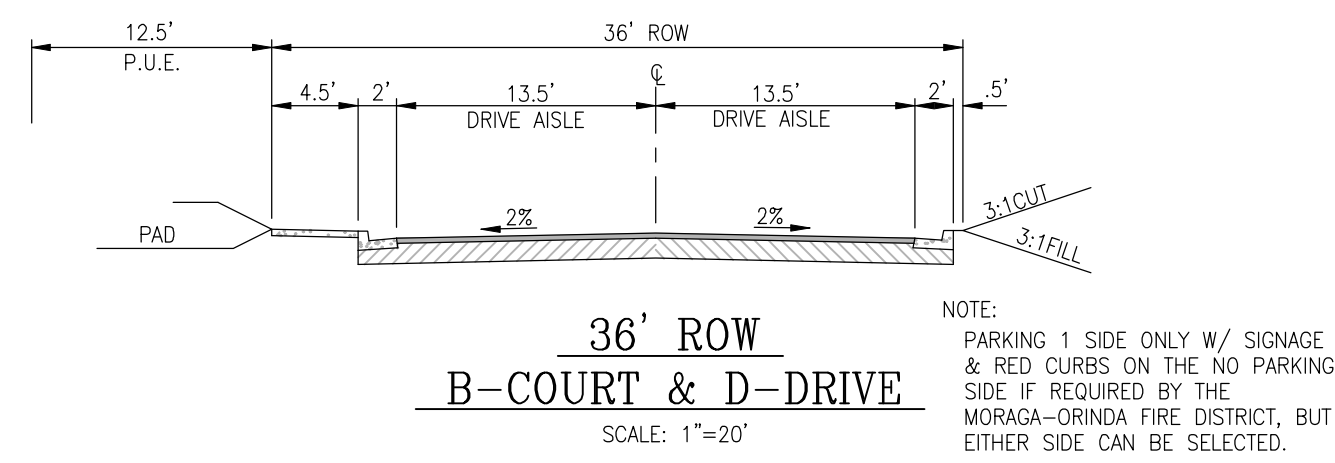
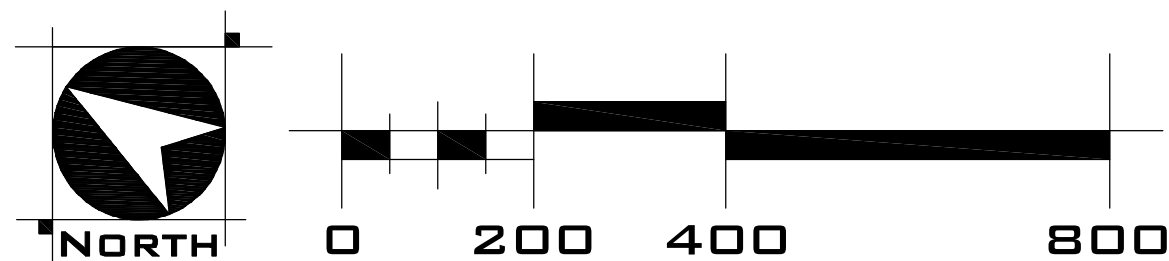


# RANCHO LAGUNA

## MORAGA, CALIFORNIA



CTA Engineering • Surveying  
3233 Monier Circle  
Rancho Cordova, CA 95742  
(916) 638-0919  
(916) 638-2479 Fax



Developer  
Rancho Laguna LLC care of  
River West Investments  
3001 I Street, Suite 200  
Sacramento, California 95816

Geotechnical Biologists  
Engeo, Inc. Sycamore & Associates

## GRADING SECTIONS

AUGUST, 2008  
Sheet 2 of 2